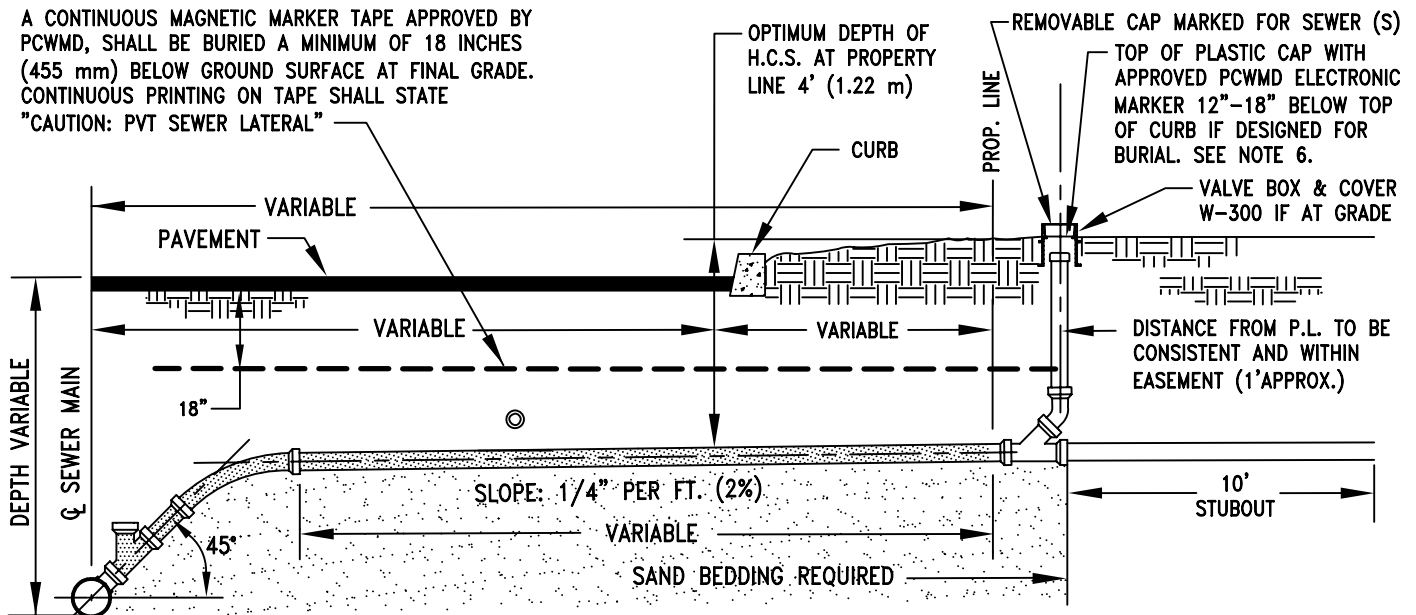
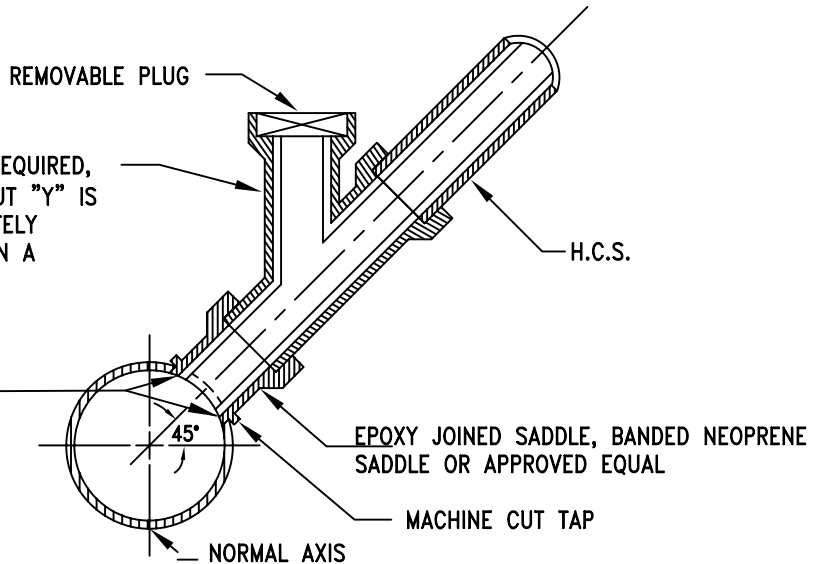


A CONTINUOUS MAGNETIC MARKER TAPE APPROVED BY PCWMD, SHALL BE BURIED A MINIMUM OF 18 INCHES (455 mm) BELOW GROUND SURFACE AT FINAL GRADE. CONTINUOUS PRINTING ON TAPE SHALL STATE "CAUTION: PVT SEWER LATERAL"



IF PRESSURE TESTING IS REQUIRED, THEN A TESTING CLEANOUT "Y" IS TO BE INSTALLED IMMEDIATELY OUTSIDE THE SADDLE WHEN A SEWER IS TAPPED

NO PORTION OF THE TAPPING SADDLE SHALL PROTRUDE INTO THE INTERNAL DIAMETER OF THE PUBLIC MAIN



NOTES:

1. WHERE MINIMUM DEPTHS AND CLEARANCES CAN NOT BE MAINTAINED, A SPECIAL H.C.S. DESIGN WILL BE REQUIRED (WWM 404).
2. H.C.S. CONNECTIONS INTO SEWER MAINS 12" (300 mm) AND LARGER ARE NOT PERMITTED WITHOUT THE WRITTEN APPROVAL OF PCWMD.
3. FOR H.C.S.'S GREATER THAN 4" (100 mm) IN DIAMETER, THE APPROVAL OF PCWMD. - AS TO THE TYPE & LOCATION OF THE CONNECTION - SHALL BE ACQUIRED IN ADVANCE.
4. THE OWNERSHIP AND MAINTENANCE OF THE ENTIRE H.C.S. - FROM THE OUTSIDE SURFACE OF THE MAINLINE SEWER PIPE (OR MANHOLE) INCLUDING THE CONNECTION, TO THE CONNECTED PLUMBING FIXTURES WITHIN THE BUILDING - SHALL BE THE RESPONSIBILITY OF THE CONNECTEE.
5. ALL CONNECTIONS TO PUBLIC SEWERS SHALL BE MADE WITH "Y" FITTINGS OR BY MACHINE CUT TAP. WHEN A TAP IS MADE, A MACHINE CUT TAP SHALL BE MADE.
6. INSTALL RAISED 4" THREADED PLUG IN CLEANOUT INCORPORATING 3M MODEL 1414 ELECTRONIC DISC MARKER. GREEN IN COLOR. LOCATOR PLUG TO BE GPK PRODUCTS MODEL #228-004 DM OR APPROVED EQUAL.

ISSUED:		STANDARD DETAIL		DETAIL NO.
8/92		HOUSE CONNECTION		WWM 401
REVISED:		SEWER (H.C.S.)		SHEET 1 OF 1
6/06				