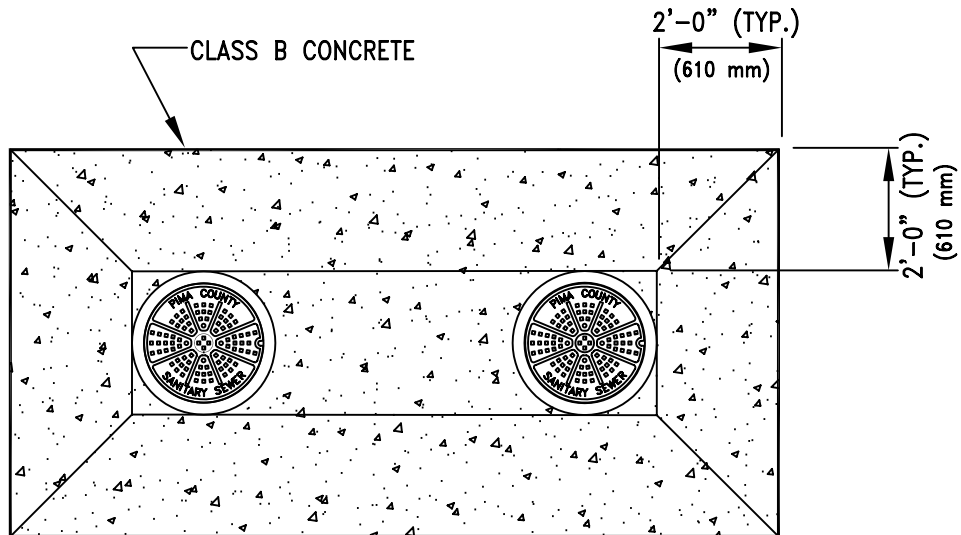


|          |   |                       |   |              |
|----------|---|-----------------------|---|--------------|
| ISSUED:  |  | STANDARD DETAIL       |  | DETAIL NO.   |
| 8/92     |   | MONITORING<br>STATION |   | WWM 225      |
| REVISED: |   |                       |   | SHEET 1 OF 2 |
| 7/02     |   |                       |   |              |



PLAN VIEW  
CONCRETE COLLAR

NOTES:

1. REMOTE MONITORING STATION EQUIPMENT MANHOLE 4'-0" (1.22 m) HIGH, 4'-0" (1.22 m) DIAMETER MANHOLE CONE SECTION, PER STD. DET. WWM 208.
2. NEW REMOTE MONITORING STATION MANHOLE, STANDARD 24" (610 mm) DIAMETER FRAME AND COVER, PER STD. DET. WWM 213.
3. 4" (100 mm) DIAMETER PVC PIPE, SCHEDULE 40 U.L., TYPICAL.
4. 4" (100 mm) THICK #57 CRUSHED STONE, PER ASTM C 33.
5. RISER POLE. COORDINATE WITH UTILITY COMPANY FOR LOCATION IF AN EXISTING POLE IS TO BE USED. IF A RADIO TRANSMITTER IS TO BE USED, AN ANTENNA WILL BE MOUNTED ON THE RISER POLE.
6. THE CONCRETE COLLAR IS NOT REQUIRED FOR STRUCTURES LOCATED WITHIN PAVED AREAS.

|          |   |                    |   |              |
|----------|---|--------------------|---|--------------|
| ISSUED:  |  | STANDARD DETAIL    |  | DETAIL NO.   |
| 8/92     |   | MONITORING STATION |   | WWM 225      |
| REVISED: |   |                    |   | SHEET 2 OF 2 |
| 7/02     |   |                    |   |              |