

DETAIL

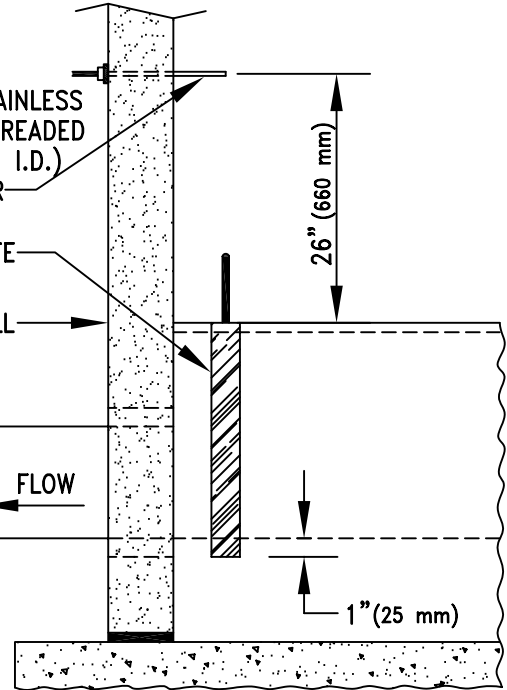
1/2" (13 mm) DIA. STAINLESS STEEL (TYPE 304) THREADED EYE-BOLT (2" (50 mm) I.D.) W/ NUT AND WASHER

REDWOOD GATE
MANHOLE WALL

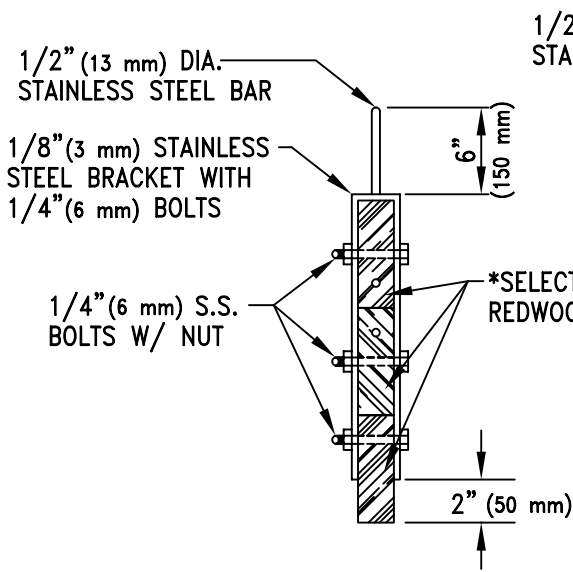
FLOW

26" (660 mm)

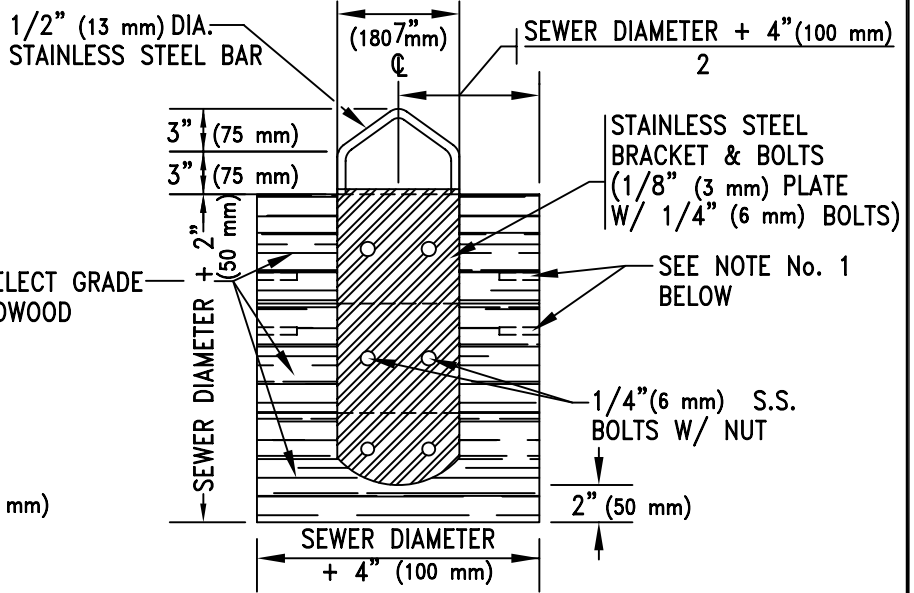
1" (25 mm)



SECTION A-A




SIDE VIEW OF GATE



BACK VIEW OF GATE

* SELECT GRADE 2" (50 mm) X 6" (150 mm) REDWOOD BOARDS - ROUGH CUT

ISSUED:	
8/92	
REVISED:	
7/02	

STANDARD DETAIL
REDWOOD GATE
DETAIL



DETAIL NO.
WWM 220
SHEET 1 OF 1