

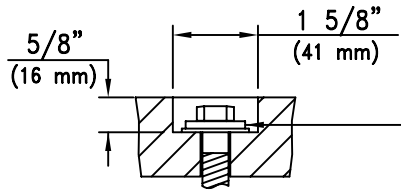


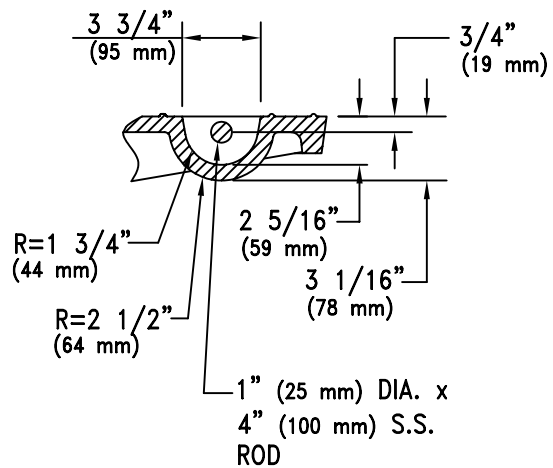
√ DENOTES MACHINED SURFACE

ISSUED:		STANDARD DETAIL		DETAIL NO.
8/92		30" (760 mm) BOLTED WATERPROOF MANHOLE FRAME AND COVER		WWM 214.2
REVISED:				
7/02				



STAINLESS STEEL HEX BOLTS 1/2" (13 mm) - 13x2" (5x50 mm) BOLTS  
 STAINLESS STEEL WASHER 1/2" (13 mm) I.D. X 1 1/4" (32 mm) O.D.  
 RUBBER WASHER 1/2" (13 mm) FLAT



BOLT HOLE DETAIL



PICKBAR RECESS DETAIL

NOTES:

1. REFER TO GENERAL NOTES, STD. DET. WWM 213.0.
2. DETAIL FOR MANHOLES OF MAINS OF 27" (675 mm) DIAMETER OR LARGER.
3. THE COVER SHALL HAVE RECESSES FOR PICKBARS. VENT HOLES SHALL NOT BE PROVIDED.
4. FRAME WEIGHT 200 LBS. (91 Kg) (APPROX.).
5. COVER WEIGHT 217 LBS. (98 Kg) (APPROX.).

ISSUED:		STANDARD DETAIL		DETAIL NO.
8/92		30" (760 mm) BOLTED		WWM 214.2
REVISED:		WATERPROOF MANHOLE		
7/02		FRAME AND COVER		SHEET 2 OF 2