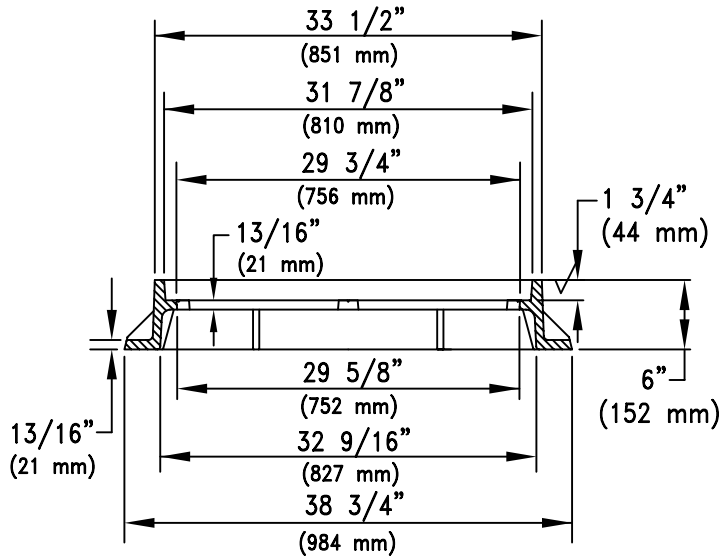


DRILL & TAP FOR
1/2"-13 BOLTS ON
DRILL DIMPLES
PROVIDED. TYP.
(4) PLACES.

FRAME - PLAN VIEW





√ DENOTES MACHINED SURFACE

FRAME SECTION

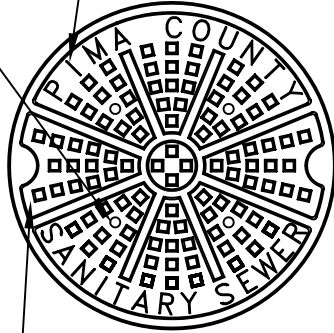
NOTES:

1. REFER TO GENERAL NOTES, STD. DET. WWM 213.0.
2. DETAIL FOR MANHOLES OF MAINS OF 27" (675 mm) DIAMETER OR LARGER.
3. THE COVER SHALL HAVE RECESSES FOR PICK BAR. VENT HOLES SHALL NOT BE PROVIDED.
4. FRAME WEIGHT 200 LBS. (91 kg.) (APPROX.).
5. COVER WEIGHT 217 LBS. (98 kg.) (APPROX.).

ISSUED:		STANDARD DETAIL		DETAIL NO.
8/92		30" (760 mm) DIA. MANHOLE		WWM 214.0
REVISED:		FRAME		SHEET 1 OF 2
7/02				

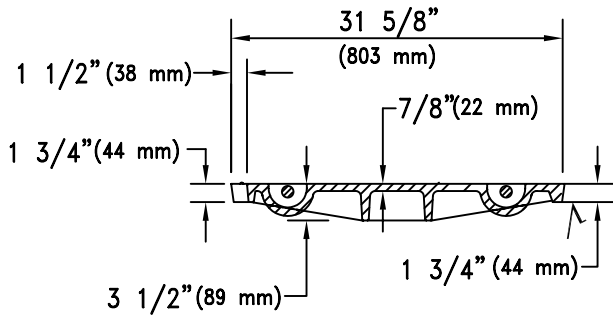
1 1/2" (38 mm) LETTERS
RAISED 7/32" (6 mm)
(RECESSED FLUSH)

3/4" DIA (19 mm)
VENT HOLES
TYP (4) PLACES.



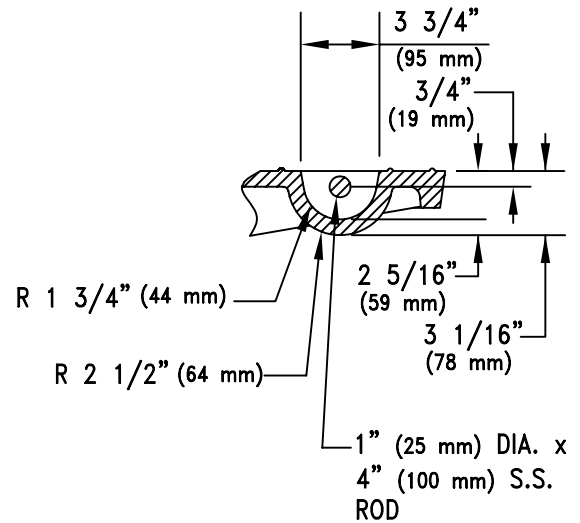
5/8" (16 mm) - (SQ.)
KNOBS RAISED 5/16"
TYP. (RECESSED FLUSH)

TOP VIEW

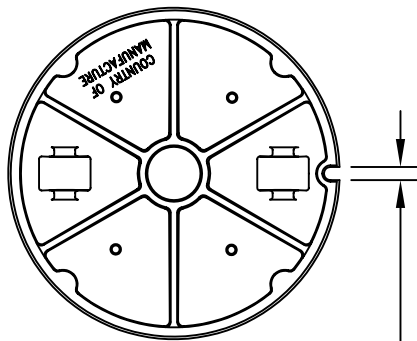


COVER SECTION

✓ DENOTES MACHINED SURFACE



PICKBAR RECESS DETAIL



1 1/4" (32 mm)

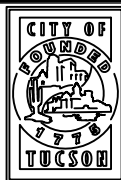
BOTTOM VIEW

ISSUED:

8/92

REVISED:

7/02



STANDARD DETAIL

30" (760 mm) DIA. MANHOLE
COVER



DETAIL NO.

WWW 214.0

SHEET 2 OF 2