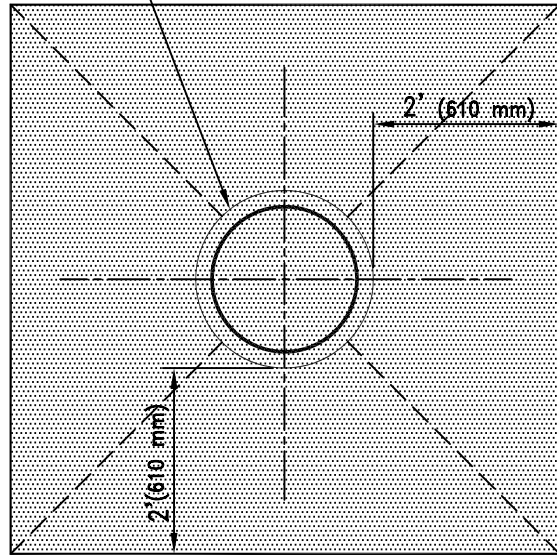
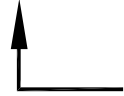


MANHOLE

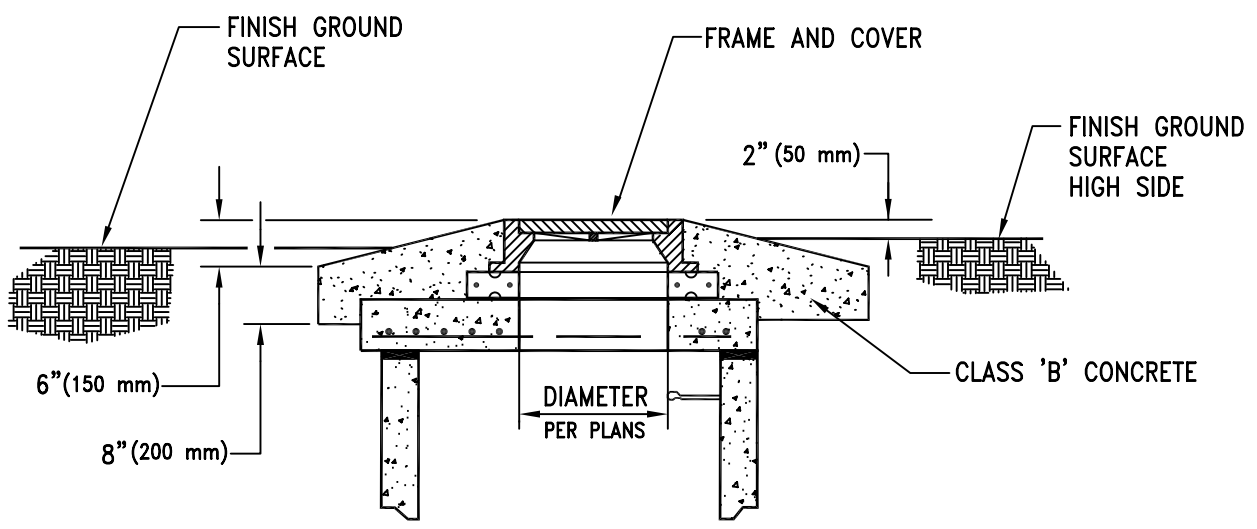
A



A



PLAN



SECTION A-A

ISSUED:
9/93
REVISED:
7/02



STANDARD DETAIL
UNPAVED AREA
CONCRETE COLLAR



DETAIL NO.
WWM 212
SHEET 1 OF 1