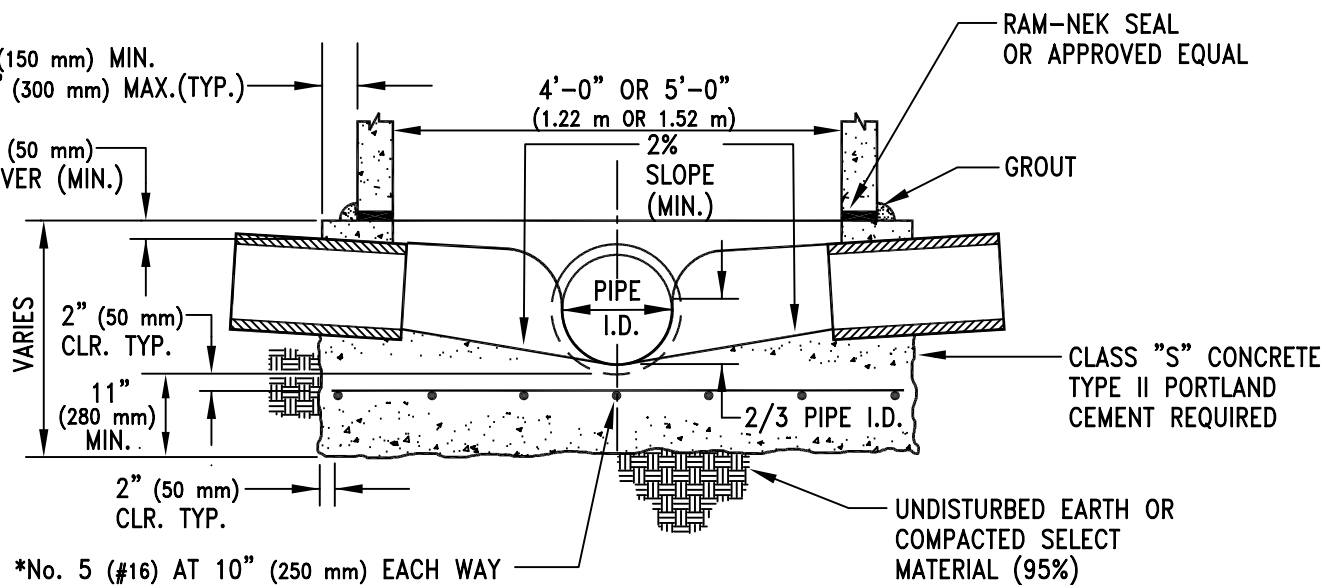


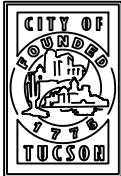

PLAN VIEW

*A SINGLE INCOMING 8" (200 mm) OR 10" (250 mm) DIAMETER SEWER THAT IS LOCATED 90° AWAY FROM ANOTHER SINGLE INCOMING 8" (200 mm) DIAMETER OR LARGER SEWER IS ACCEPTABLE.



SECTION A-A

* NOTE:
REINFORCING STEEL IS OPTIONAL FOR MANHOLES LESS THAN 20' (6.1 m) DEEP FROM INVERT TO TOP OF COVER.

ISSUED:		STANDARD DETAIL MANHOLE BASE 21" (525 mm) DIA. AND SMALLER		DETAIL NO.
8/92				WWM 201
REVISED:				SHEET 1 OF 1
7/02				