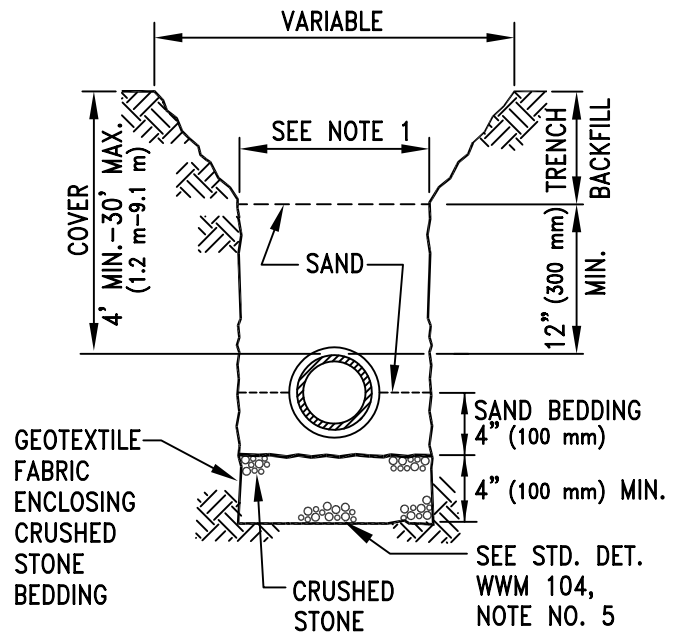


SAND BEDDING



CRUSHED STONE BEDDING

NOTES:

1. NOTES 1 THRU 6 OF STANDARD DETAIL NO. WWM 104 (RIGID PIPE) ARE ALSO APPLICABLE TO FLEXIBLE PIPE INSTALLATIONS.
2. WHEN USING A MOVABLE TRENCH BOX, THE INSIDE WALLS OF THE BOX MUST CLEAR THE SEWER PIPE AS NOT TO DISTURB THE BEDDING WITHIN TWO PIPE DIAMETERS (O.D.) ON EACH SIDE OF THE PIPE.
3. FOR SAND BEDDING, PLACE SAND FROM BOTTOM OF TRENCH TO 12" (300 mm) OVER THE PIPE IN FOUR LIFTS, WITH EACH LIFT COMPACTED TO 95% OF THE MAXIMUM DENSITY DETERMINED IN ACCORDANCE WITH THE REQUIREMENTS OF THE APPLICABLE TEST METHODS OF THE ADOT MATERIALS TESTING MANUAL, USING HAND OR MECHANICAL TAMPING. WATER SETTLING OF FLEXIBLE PIPE WILL NOT BE PERMITTED. USE CARE SO AS NOT TO MOVE PIPE OFF LINE OR GRADE.
4. REFER TO SIEVE ANALYSIS CHART ON STANDARD DETAIL NO. WWM 104 FOR CRUSHED STONE, SAND AND SELECT NATIVE MATERIALS.
5. IF CRUSHED STONE IS USED FOR THE BEDDING MATERIAL, SAND SHALL BE USED FOR THE SHADING MATERIAL.

ISSUED:		STANDARD DETAIL FLEXIBLE PIPE BEDDING FOR SANITARY SEWERS		DETAIL NO.
8/92				WWM 105
REVISED:				SHEET 1 OF 1
7/02				