

NOTE: SPECIAL CORROSION PROTECTION MEASURES SHALL BE AS SPECIFIED ON THE PLANS

DUCTILE IRON PIPE (D.I.P.) REFER TO PLANS FOR DIAMETER.

PLAN VIEW

7/8" (22 mm) Ø THREADED ROD W/(2) CUT WASHERS AND W/(2) HEX NUTS

1/2" (13 mm) THICK NEOPRENE CONTINUOUS, AROUND PERIMETER OF PIPE, BETWEEN PIPE AND SADDLE

FINISH INVERT ELEVATION

CUT HP TO CONFORM TO OUTSIDE PERIMETER OF PIPE

3" (MIN.) (75 mm)

BOTH FLANGES 1/4" (6 mm)

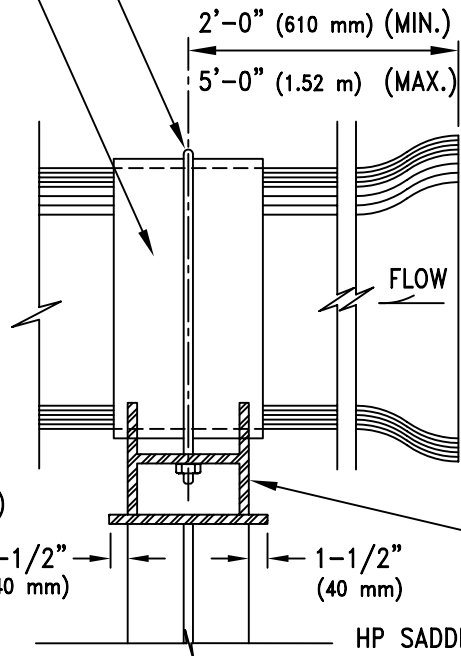
1-3/4" (45 mm) (MIN.) Ø HP TO PIPE O.D.

PL 5/8" (16 mm)

1/4" (6 mm)

AMERICAN INSTITUTE OF STEEL CONSTRUCTION (AISC) BEARING SHAPE (HP) PILE AS SPECIFIED ON THE PLANS

SECTION A-A



2'-0" (610 mm) (MIN.)  
5'-0" (1.52 m) (MAX.)

FLOW

1-1/2" (40 mm)

1-1/2" (40 mm)

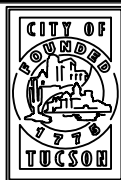
HP SADDLE AS CALLED FOR ON PLAN

SIDE VIEW

NOTES:

1. ALL STEEL PLATES AND SADDLES TO BE ASTM A 36 (A 36M)
2. ALL WELDING ELECTRODES SHALL CONFORM TO ASTM 233-62T AND AWS A5.1 GRADE E-70XX.
3. ALL BOLTS AND NUTS TO BE ASTM A 307 (A 307M)

ISSUED:	
8/92	
REVISED:	
7/02	



STANDARD DETAIL  
PILE SUPPORTED  
SANITARY SEWER



DETAIL NO.	
WWM 101	
SHEET 1-1	